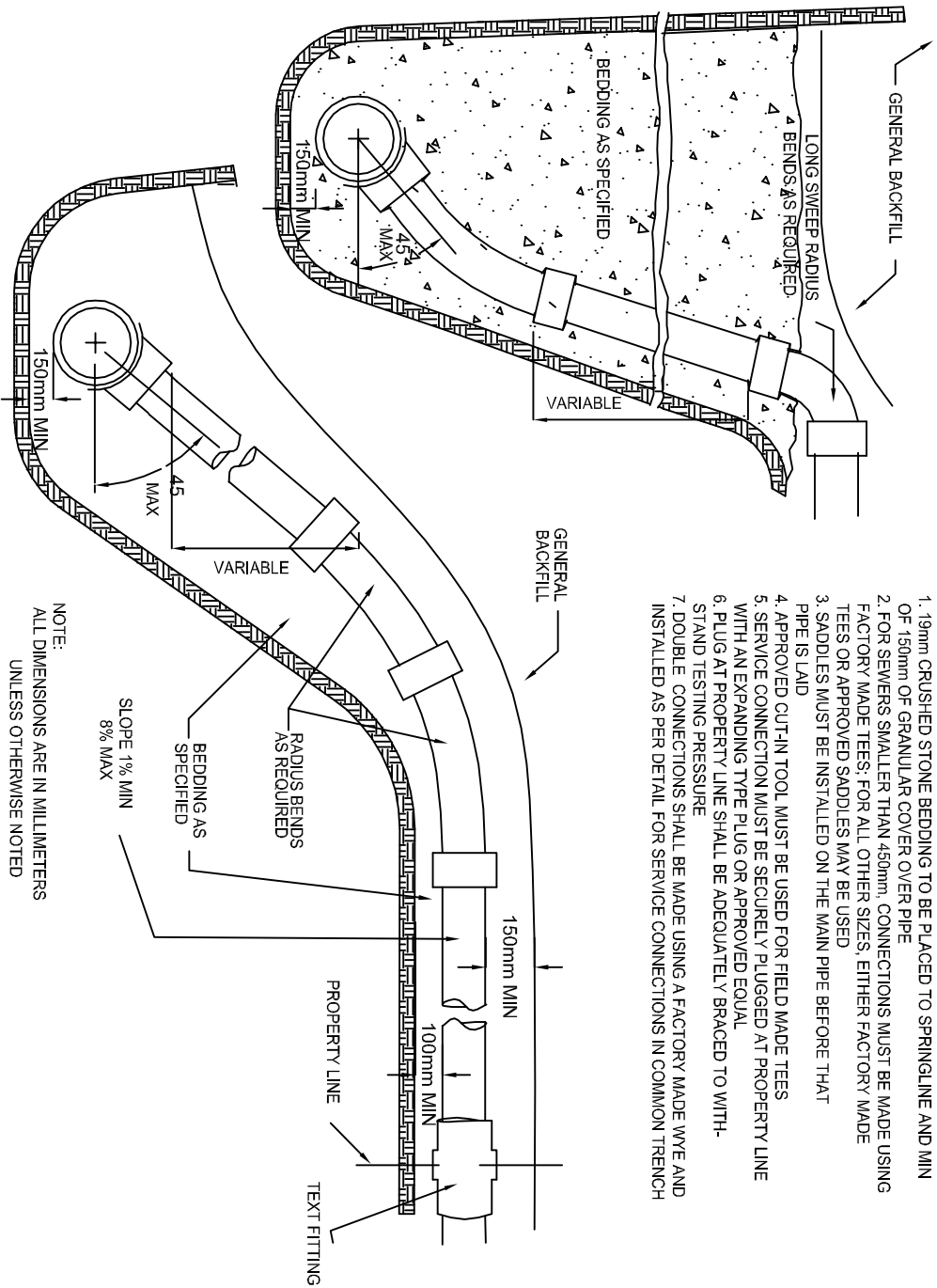


VERTICAL RISER



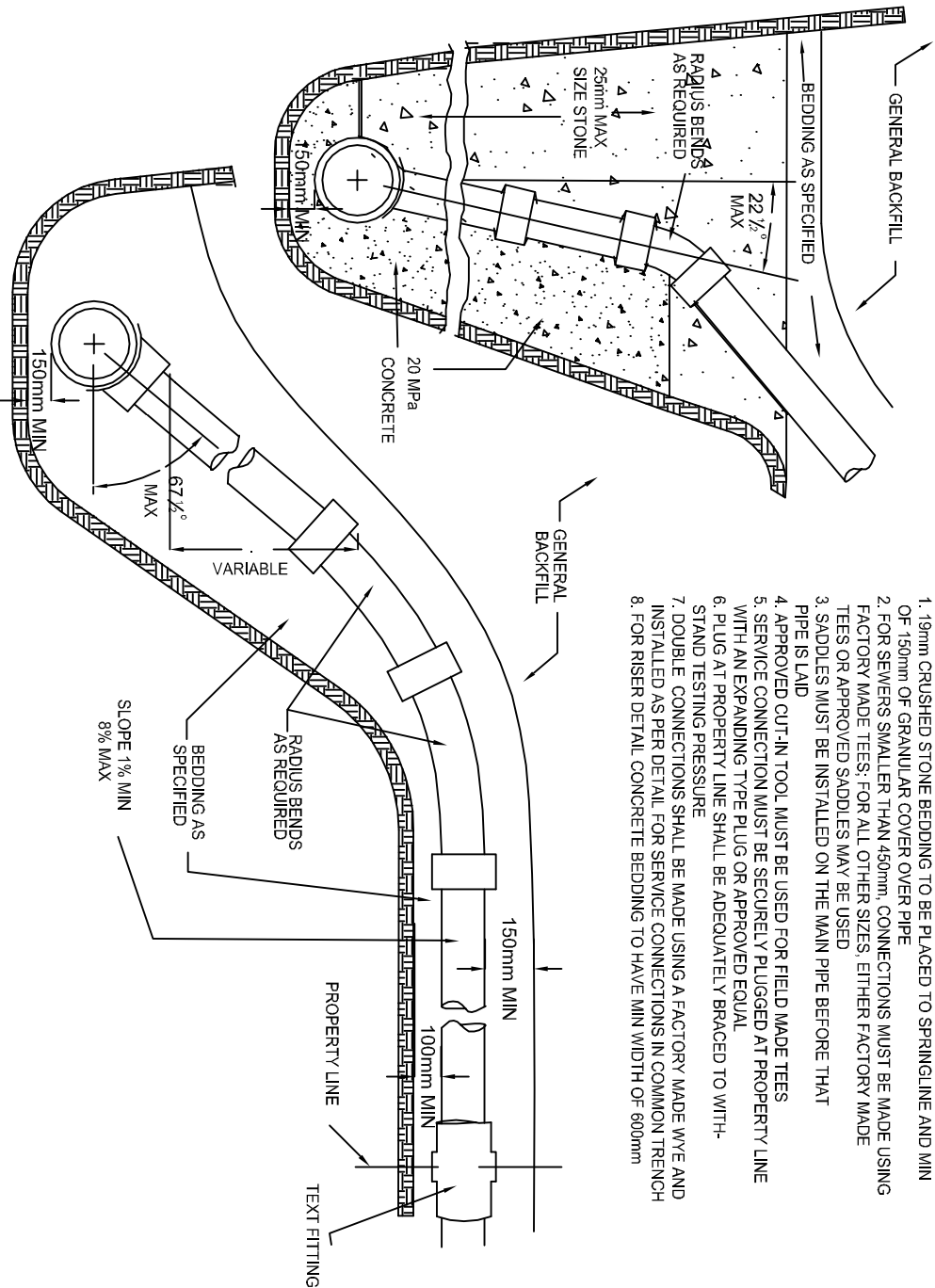
- NOTES:
1. 19mm CRUSHED STONE BEDDING TO BE PLACED TO SPRINGLINE AND MIN OF 150mm OF GRANULAR COVER OVER PIPE
 2. FOR SEWERS SMALLER THAN 450mm, CONNECTIONS MUST BE MADE USING FACTORY MADE TEES; FOR ALL OTHER SIZES, EITHER FACTORY MADE TEES OR APPROVED SADDLES MAY BE USED
 3. SADDLES MUST BE INSTALLED ON THE MAIN PIPE BEFORE THAT PIPE IS LAID
 4. APPROVED CUT-IN TOOL MUST BE USED FOR FIELD MADE TEES
 5. SERVICE CONNECTION MUST BE SECURELY PLUGGED AT PROPERTY LINE WITH AN EXPANDING TYPE PLUG OR APPROVED EQUAL
 6. PLUG AT PROPERTY LINE SHALL BE ADEQUATELY BRACED TO WITHSTAND TESTING PRESSURE
 7. DOUBLE CONNECTIONS SHALL BE MADE USING A FACTORY MADE WYE AND INSTALLED AS PER DETAIL FOR SERVICE CONNECTIONS IN COMMON TRENCH

TOWN OF CALEDON

**STORM SEWER
SERVICE CONNECTION**
FOR FLEXIBLE PIPE

NO.	REVISION	APPRD	DATE	APPRD:	DATE:
1	STANDARD No. 700 NOW 500		JUNE 08	C.C.	DEC 1999
				DRAWN: BJM	SCALE: NTS
				STANDARD No. 500	

VERTICAL RISER

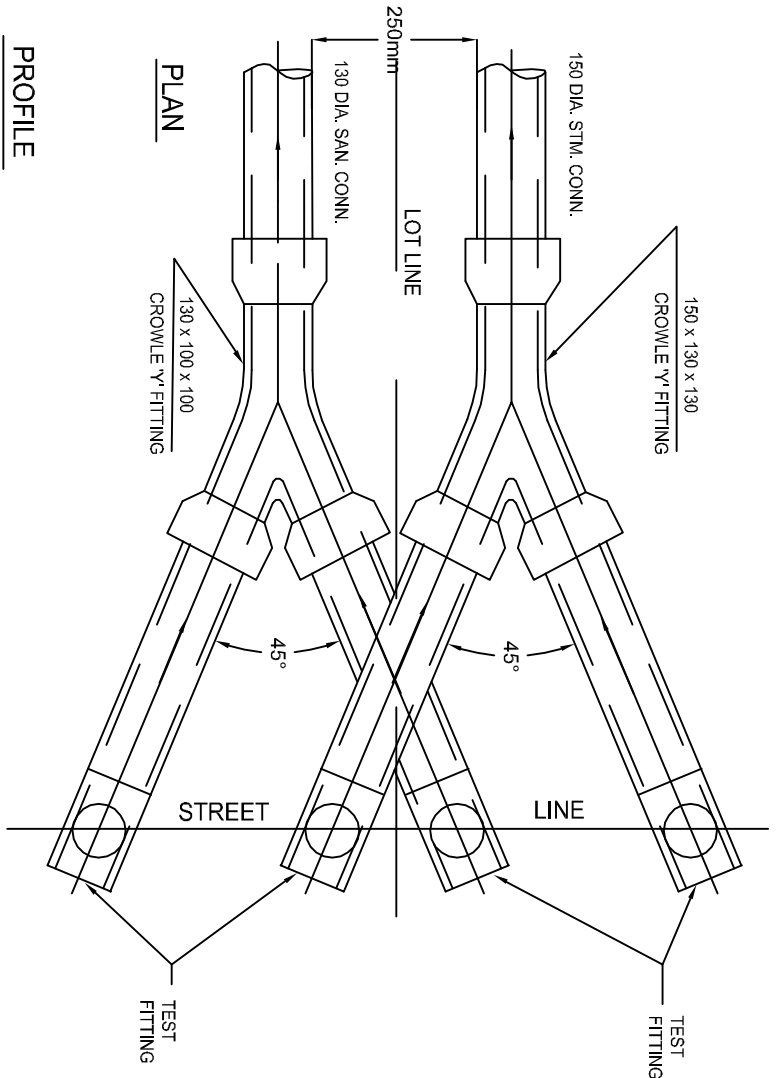


- NOTES:
1. 19mm CRUSHED STONE BEDDING TO BE PLACED TO SPRINGLINE AND MIN OF 150mm OF GRANULAR COVER OVER PIPE
 2. FOR SEWERS SMALLER THAN 450mm. CONNECTIONS MUST BE MADE USING FACTORY MADE TEES. FOR ALL OTHER SIZES, EITHER FACTORY MADE TEES OR APPROVED SADDLES MAY BE USED
 3. SADDLES MUST BE INSTALLED ON THE MAIN PIPE BEFORE THAT PIPE IS LAID
 4. APPROVED CUT-IN TOOL MUST BE USED FOR FIELD MADE TEES
 5. SERVICE CONNECTION MUST BE SECURELY PLUGGED AT PROPERTY LINE WITH AN EXPANDING TYPE PLUG OR APPROVED EQUAL
 6. PLUG AT PROPERTY LINE SHALL BE ADEQUATELY BRACED TO WITHSTAND TESTING PRESSURE
 7. DOUBLE CONNECTIONS SHALL BE MADE USING A FACTORY MADE WYE AND INSTALLED AS PER DETAIL FOR SERVICE CONNECTIONS IN COMMON TRENCH
 8. FOR RISER DETAIL CONCRETE BEDDING TO HAVE MIN WIDTH OF 800mm

TOWN OF CALEDON

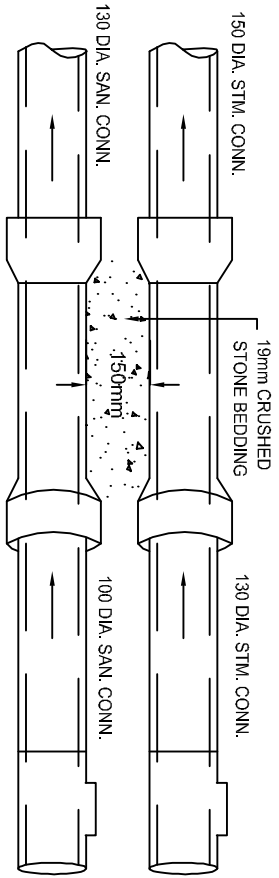
STORM SEWER SERVICE CONNECTION FOR RIGID PIPE

				APRD:	C.C.
				DATE:	DEC 1999
				DRAWN:	BJM
				SCALE:	NTS
NO.	REVISION	APRD	DATE	STANDARD No. 501	
1	STANDARD No. 701 NOW 501		JUNE 08		



PLAN

PROFILE

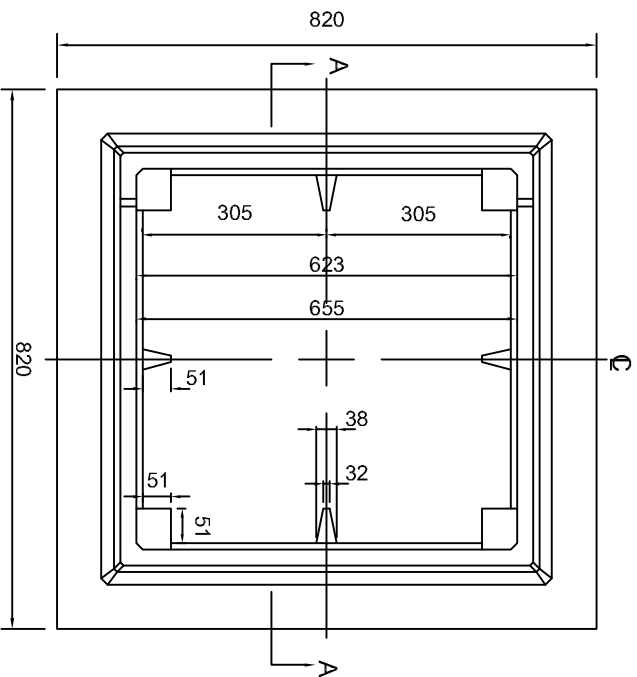


- NOTES:**
1. MINIMUM TRENCH WIDTH TO BE 900mm.
 2. 19mm CRUSHED STONE BEDDING TO BE USED 350mm EITHER SIDE OF CROSSOVERS TO SPRINGLINE OF UPPER PIPE. MINIMUM 150mm GRANULAR MATERIAL COVER REQUIRED OVER PIPE.
 3. 130mm DIA. TEST FITTING TO BE MARKED 'STORM'.
 4. STORM CONNECTION TO PIPE TO BE WHITE.
 5. STORM CONNECTION TO BE ON THE LEFT WHEN FACING THE HOUSE.
 6. STORM CONNECTION MUST BE SECURELY PLUGGED AT PROPERTY LINE WITH AN APPROVED PLUG.

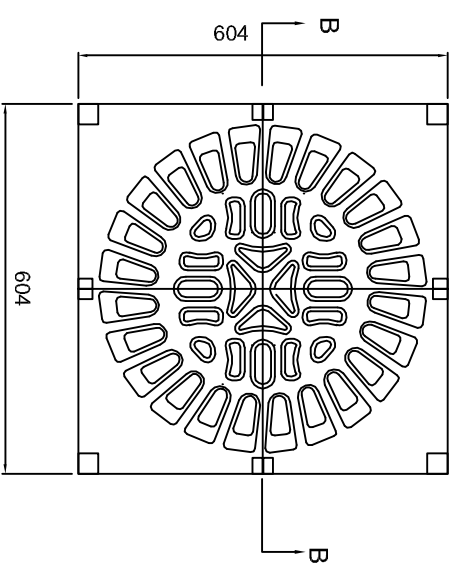
TOWN OF CALEDON

**SERVICE CONNECTION
IN COMMON TRENCH**

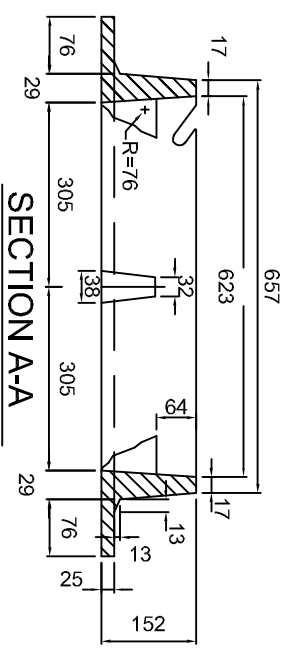
APRD:	C.C.	DATE:	DEC 1999
DRAWN:	BJM	SCALE:	NTS
NO.	1	STANDARD No. 705 NOW 502	JUNE 08
REVISION			
APRD		DATE	
STANDARD No. 502			



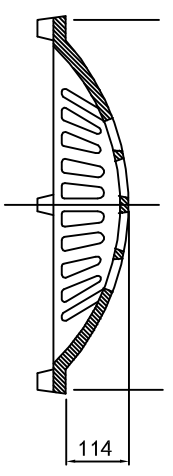
FRAME PLAN



GRATE PLAN



SECTION A-A



SECTION B-B

TOWN OF CALEDON

BEEHIVE CATCHBASIN, CAST IRON
FRAME AND FLAT SQUARE GRATE

APRD:	DATE:	DEC 1999
DRAWN: BJM	SCALE: NTS	
NO. 1	STANDARD NO. 710 NOW 503	JAN 09
REVISION		
APRD	DATE	STANDARD No. 503